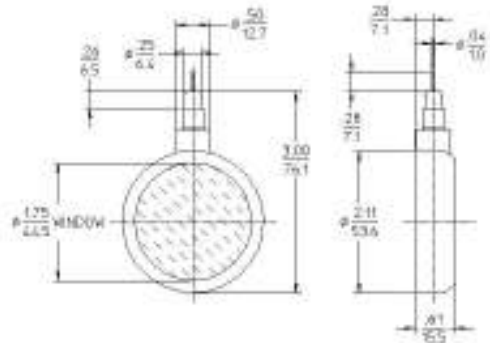


**7314 Pancake Mica Window Alpha-Beta-Gamma Detector****GENERAL SPECIFICATIONS**

Gas filling Ne +Halogen  
Cathode material 446 Stainless Steel  
Maximum length (inch/mm) 3.28/83.31  
Effective depth (inch/mm) 0.5/12.7  
Maximum diameter (inch/mm) 2.11/53.6  
Effective diameter (inch/mm) 1.75/44.5  
Connector Grid Cap w/Pin Extension  
Operating temperature range °C -40 to +75

**WINDOW SPECIFICATIONS**

Areal density (mg/cm<sup>2</sup>) 1.5 - 2.0  
Effective diameter (inch/mm) 1.75/44.5  
Material Mica

**ELECTRICAL SPECIFICATIONS**

Recommended anode resistor (meg ohm) 4.7  
Maximum starting voltage (volts) 425  
Recommended operating voltage (volts) 500  
Operating voltage range (volts) 475 - 675  
Maximum plateau slope (%/100 volts) 10  
Minimum dead time (micro sec) 40  
Gamma sensitivity Co60 (cps/mr/hr) 60  
Tube capacitance (pf) 3  
Weight (grams) 125  
Maximum background shielded 50mm Pb + 3mm Al (cpm) 30  
Minimum anode resistor (meg ohm) 3.3

