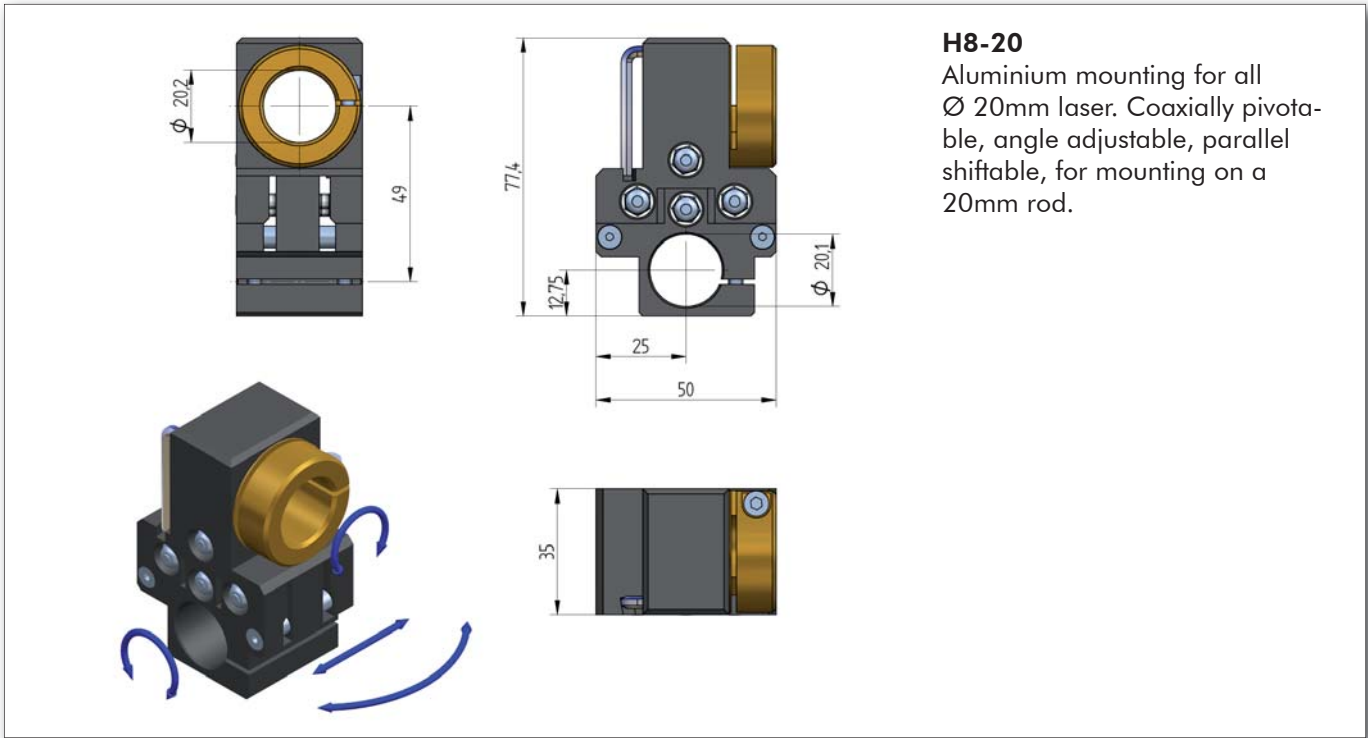


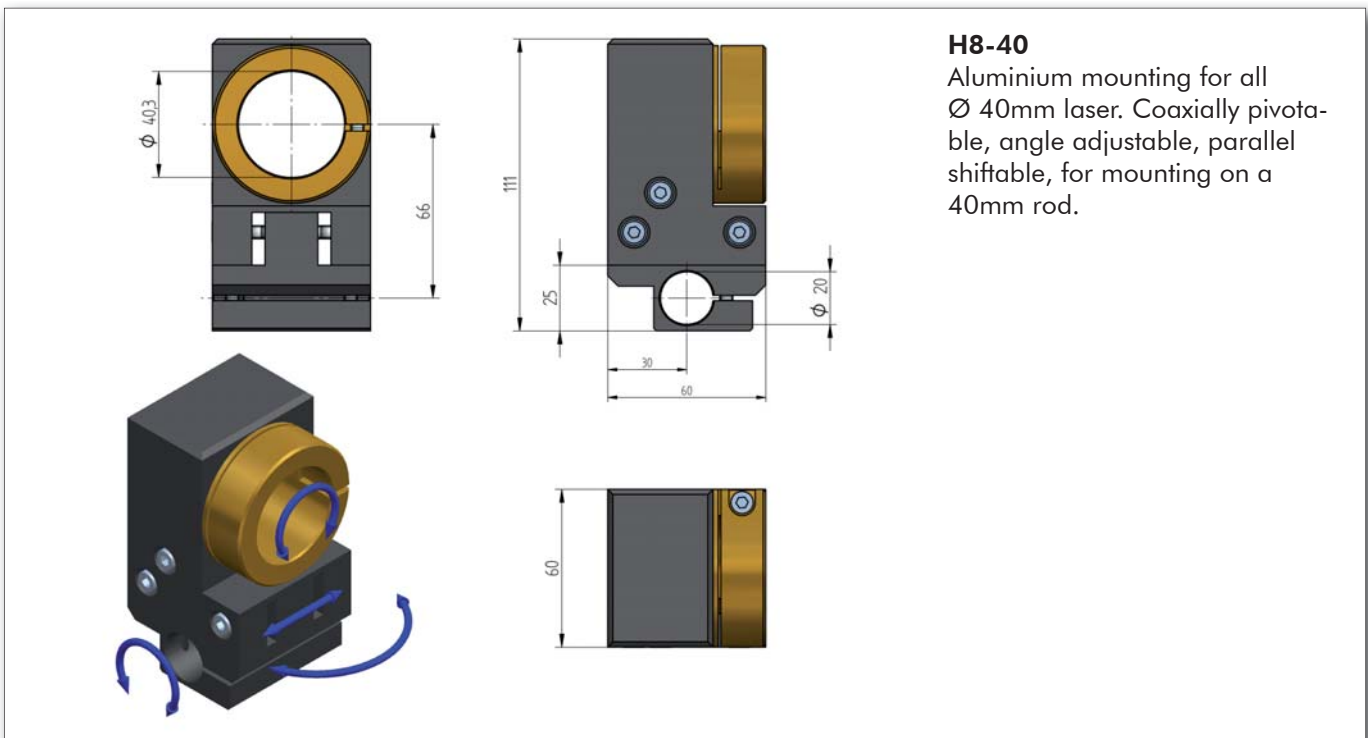
H8

Mounting



H8-20

Aluminium mounting for all $\phi 20$ mm laser. Coaxially pivotable, angle adjustable, parallel shiftable, for mounting on a 20mm rod.



H8-40

Aluminium mounting for all $\phi 40$ mm laser. Coaxially pivotable, angle adjustable, parallel shiftable, for mounting on a 40mm rod.