

# **Product Specification**

**Model: STC-C202USB / STC-B202USB**

**USB2.0 (High-Speed) Output UXGA  
Color/Monochrome 1 / 1.18" CCD Camera**

September 13<sup>th</sup>, 2007

SENSOR TECHNOLOGY CO., LTD

**1. Features**

- 1) UXGA, Color / Monochrome, 1/1.18" CCD Camera
- 2) USB 2.0 High Speed Output
- 3) Maximum Frame Rate 15fps at UXGA picture size
- 4) DirectX Compatible
- 5) Twain Driver Compatible

**2. Specification****Electrical Specification**

Model	STC-C202USB	STC-202USB
Signal Format	UXGA Color	UXGA Monochrome
Image Sensor	1/1.18" CCD (ICX274AQ)	1/1.18" CCD (ICX274AL)
Total Pixels	1688(H) x 1248(V)	
Effective Pixels	1628(H) x 1236(V)	
Imaging Pixels	1600(H) x 1200(V) at Full Scan 1600(H) x 548(V) at 1/2 Scan 1600(H) x 208 (V) at 1/4 Scan	
Chip Size	8.50(H) x 6.80(V) mm	
Cell Size	4.40(H) x 4.40(V) um	
Horizontal Drive Frequency	36.8181MHz (High / Mid. / Low Software Selectable)	
Frame Rate	High Speed : 15fps Middle Speed : 7.5fps Low Speed : 3.75fps	
Scanning Method	Progressive	
	Full Scan : 15fps 1/2 Scan : 30fps 1/4 Scan : 60fps	
Data Format	8bit	
Sync System	Internal Sync	
Signal (Video & Control)	USB 2.0 High-Speed	
Min. Illumination	TBD	
Power Voltage	DC Power Jack (+5.0V, $\pm 0.3V$ )	
Power Current	TDB	

**Camera Control**

Model	STC-C202USB	STC-B202USB
Gain	Auto / Manual (Software Selectable)	
Electronic Shutter	Auto (Electronic Iris) / Manual (Software Selectable)	
Gamma	Manual (Software Selectable)	
White Balance	Auto / Manual / One-Shot (Software Selectable)	

**Mechanical Specification**

Model	STC-B202USB	STC-C202USB
Lens Mount	CS Mount / C Mount (with Adapter) / Fixed Lens	
Dimensions	Case Type (USB Connector on the Top of the Case) : 51(W) x 51(H) x 41.6(D) mm Case Type (USB Connector on the Rear Panel) : 51(W) x 51(H) x 44.3(D) mm	
Weight	Case Type : 145 g	
Operating Temperature	TDB	
Storage Temperature	TDB	

**Software**

Image Viewing Software and USB Drive

SDK

Image Viewing Software and SDK can control follow features.

Please see the Imaging Software and SDK manual

- 1) Bayer - RGB Convert
    - A) Nearest Neighbor Replication
    - B) Bilinear (Bilinear Interpolation)
    - C) BiCubic (Cubic Convolution)
  - 2) White Balance (Auto / Manual / One-Shot)
  - 3) Electronic Shutter (Auto(Electronic Iris) / Manual(Fixed Shutter))
  - 4) External Trigger
  - 5) Image Filtering
- And mode...

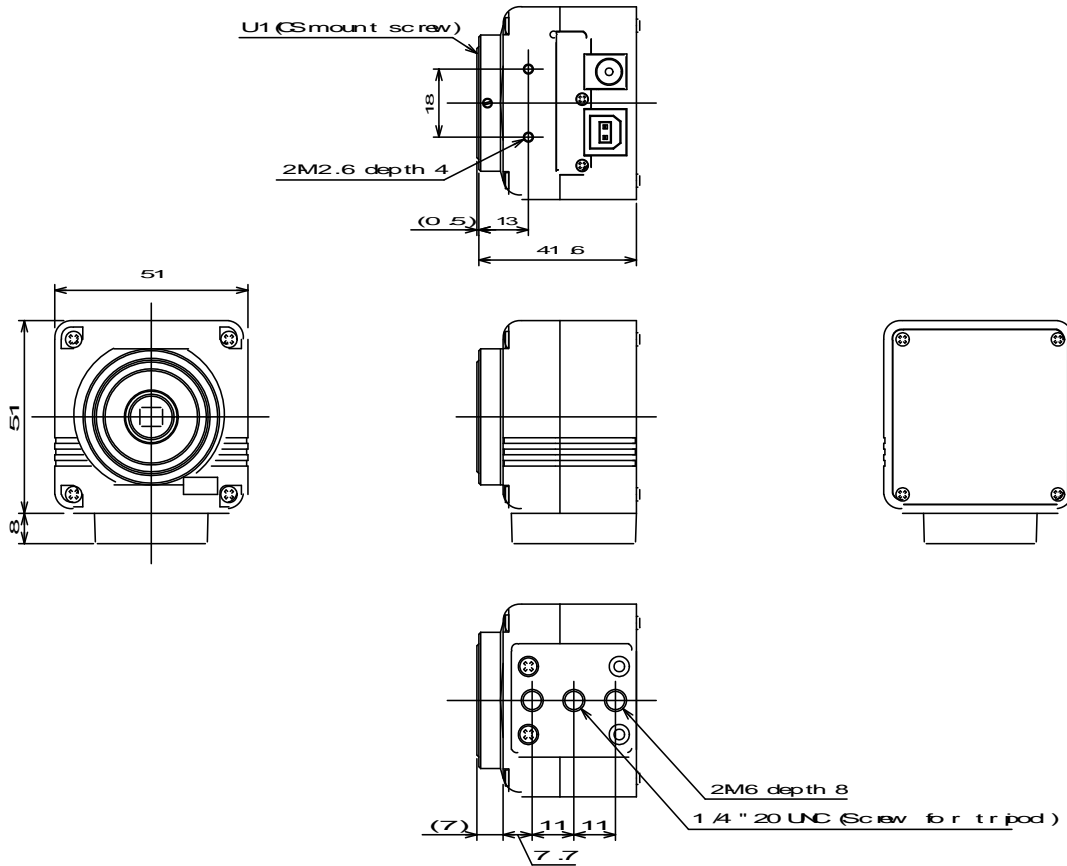
**System Requirement**

- 1) OS : Microsoft Windows 2000(SP4) / XP(SP2), Vista
- 2) USB Port : USB 2.0

**3. Dimensions**

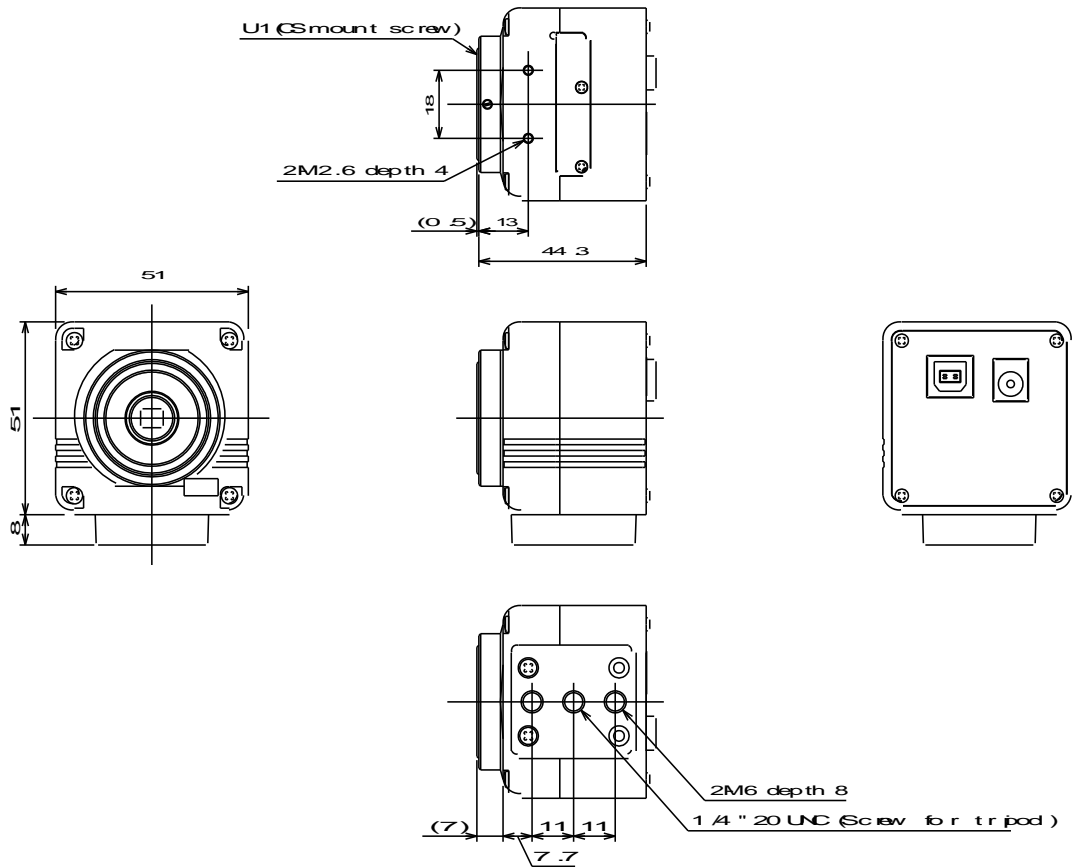
1) Case Type (USB Connector on the Top of the Case)

This Drawing is for CS mount type. C-mount type is 5mm longer about the Lens mount.



2) Case Type (USB Connector on the Rear Panel)

This Drawing is for CS mount type. C-mount type is 5mm longer about the Lens mount.



Revision

Original Japanese Document: 2007/4/10  
 English Translation Rev 0.0 Kenny Niino

**Sensor Technologies America, Inc**

1345 Valwood Parkway, Suite 320  
 Carrollton, TX 75006-6891  
 (972)481-9223: Phone  
 (877)736-8324: Toll Free (US)  
 (972)481-9209: Fax  
 URL <http://www.SentechAmerica.com>

**Sensor Technology Co., Ltd**

7F, Harada center building  
 9-17, Naka cho 4 chome  
 Atsugi-city, Kanagawa  
 243-0018 Japan  
 TEL 81-46-295-7061  
 FAX 81-46-295-7066  
 URL <http://www.sentech.co.jp>